



LFP 5-10kWh / LV

51.2V 100/200Ah

RECHARGEABLE LITHIUM BATTERY



High inverter compatibility



Bluetooth responds quickly



>15 Years life span



Reliable LFP cells



Scalable up to 160kWh 16 (Parallel)



Cells cycle times 6000 cycles



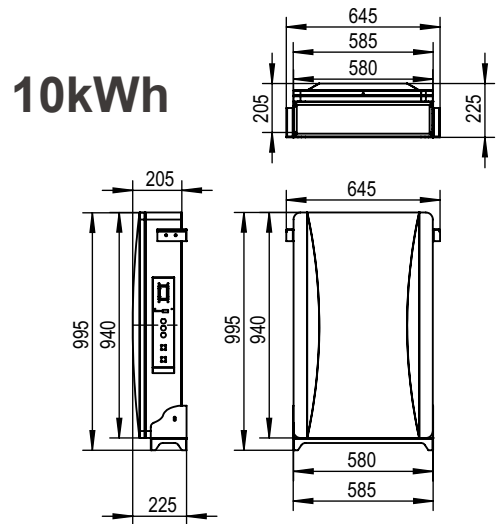
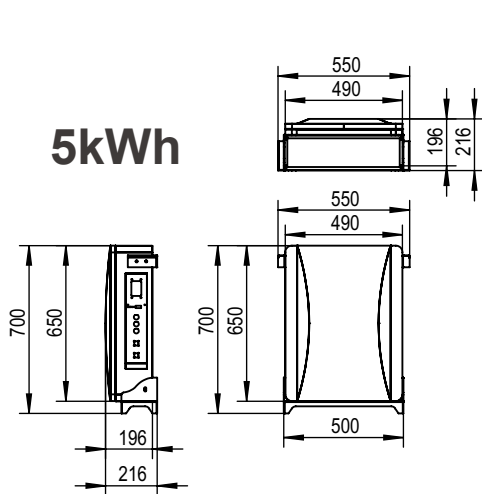
CANbus standard connection



IP65 Rating Triple hardware protection

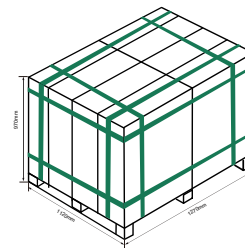


Smart BMS system to optimize the performance



Electrical Characteristics

Module Type	LFP 5kWh / LV	LFP 10kWh / LV
Nominal Capacity (at 25 °C)	5.12kWh	10.24kWh
Usable Capacity (90%DOD)	4.6kWh	9.2kWh
Nominal Dis-/Charge Power	2.5kW	5kW
Peak Power _(Only Discharge)	2.9kW for 3 seconds	5.8kW for 3 seconds
Constant Current _(Only Discharge)	50A	100A
Operating Voltage Range (V)	43~58V	43~58V
Nominal Voltage	51.2Vd.c	51.2Vd.c
Weight	58kg	109kg
Dimension(mm)	490(550)*650(700)*196(216)mm	585(645)*940(995)*205(225)mm
Certificates	CE,UN38.3,IEC62619,IEC63056	CE,UN38.3,IEC62619,IEC63056

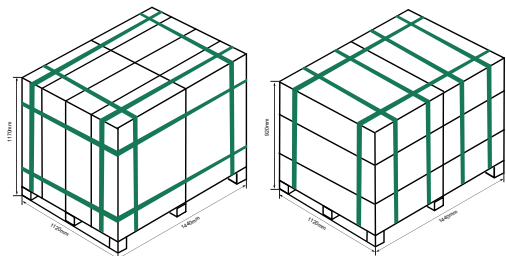


8
PIECES
PALLET

Packing Configuration (LFP 5kWh / LV)

Pallet Dimensions	1270x1120x970mm	
Container	20'GP	40'HQ
Pieces per Pallet	8	8
Pallets per Container	16	36
Pieces per Container	128	288

Operating Condition	Indoor or outdoor
Operating Temperature Charge	0~45 °C
Operating Temperature Discharge	-10~50 °C
Humidity	Up to 90% (non- condensing)
Pollution Degree	3
Over Voltage Category	II
Cooling Type	Natural cooling
IP Rating	IP 65
Protective Class	I
Max. Number of Parallel	16
Warranty	10 years
Life Span	>15 years
Communication Interface	CAN / RS485
Protection Mode	Triple hardware protection
Battery Protection	Over-current / Over-voltage / Short circuit / Under-voltage



8/6
PIECES
PALLET

Packing Configuration (LFP 10kWh / LV)

Pallet Dimensions	1440x1120x1170(920)mm	
Container	20'GP	40'HQ
Pieces per Pallet	8/6	8
Pallets per Container	8 (8pcs/pallet)+8 (6pcs/pallet)	28
Pieces per Container	96	224

Compatible Inverters

